

UGANDA STANDARD

First Edition
2008-09-08

Road vehicles — Code of practice for inspection and testing of used motor vehicles for roadworthiness



Reference number
US 845: 2008

© UNBS 2008

Compliance with this standard does not, of itself confer immunity from legal obligations

A Uganda Standard does not purport to include all necessary provisions of a contract. Users are responsible for its correct application

© UNBS 2008

All rights reserved. Unless otherwise specified, no part of this publication may be reproduced or utilised in any form or by any means, electronic or mechanical, including photocopying and microfilm, without prior written permission from UNBS.

Requests for permission to reproduce this document should be addressed to

The Executive Director
Uganda National Bureau of Standards
P.O. Box 6329
Kampala
Uganda
Tel: 256 414 505 995
Fax: 256 414 286 123
E-mail: unbs@infocom.co.ug
Web: www.unbs.go.ug

Contents		Page
Foreword		iv
1	Scope	1
2	Normative references	1
3	Definitions	1
4	Inspection for the performance characteristics	2
5	Inspection for the operational requirements	4
6	Inspection of axles, wheels, and tyre	5
7	Marking	10
Annex A (normative) Wheel alignment testing		11
Annex B (normative) Brake testing		12
Annex C (normative) Exhaust emissions testing		13
Annex D (normative) Head light testing		14
Annex E (normative) Sound level testing		15

Foreword

Uganda National Bureau of Standards (UNBS) is a parastatal under the Ministry of Tourism, Trade and Industry established under Cap 327, of the Laws of Uganda. UNBS is mandated to co-ordinate the elaboration of standards and is

- (a) a member of International Organisation for Standardisation (ISO) and
- (b) a contact point for the WHO/FAO Codex Alimentarius Commission on Food Standards, and
- (c) the National Enquiry Point on TBT/SPS Agreements of the World Trade Organisation (WTO).

The work of preparing Uganda Standards is carried out through Technical Committees. A Technical Committee is established to deliberate on standards in a given field or area and consists of representatives of consumers, traders, academicians, manufacturers, government and other stakeholders.

Draft Uganda Standards adopted by the Technical Committee are widely circulated to stakeholders and the general public for comments. The committee reviews the comments before recommending the draft standards for approval and declaration as Uganda Standards by the National Standards Council.

In reporting the results of a test made in accordance with this Uganda Standard, if the final value observed or calculated is to be rounded off, it shall be done in accordance with EAS 124:1999, *Rounding off number values*.

Road vehicles — Code of practice for inspection and testing of used motor vehicles for road worthiness

1 Scope

This Uganda Standard specifies the safety related performance characteristics of used motor vehicles and their inspection and tests for roadworthiness.

2 Normative references

The following referenced documents are indispensable for the application of this document. For dated references, only the edition cited applies. For undated references, the latest edition of the referenced document (including any amendments) applies.

EAS 124:1999, *Rounding off number values*

US 533:2006, *Retro-reflective warning signs for road vehicles — Chevron signs*

3 Definitions

For the purposes of this standard, the following terms and definitions shall apply.

3.1

inspection

activities such as measuring, examining one or more characteristics of a product or service and comparing these with specified requirements to determine conformity

3.2

specification

prescribed requirement with which the product or service has to conform

3.3

defect

non-fulfilment of intended usage requirements

3.4

non-conformity

non-fulfilment of specified requirements

3.5

reliability

ability of an item to perform a required function under stated conditions or a stated period of time

3.6

quality

totality of features and characteristics of a product or service that bear on its ability to satisfy stated or implied needs

4 Inspection for performance characteristics

4.1 Inspection of steering wheel alignment

The alignment of the steered wheels shall be inspected with a side slip tester machine or any other suitable apparatus. The reading for skidding shall not exceed 5 mm inward or outward for 1 m of travel (see Annex A). Wheel alignment shall also be inspected visually in accordance with the following:

- a) the camber shall not exceed the manufacturer's specified limits; or
- b) in the case of a semi trailer, any axle shall not be out of square to the longitudinal centreline of the vehicle by more than 10.0 mm/m of length of trailer; and
- c) the front wheels (in the straight-ahead position) and rear wheels shall be in the same vertical plane. When relevant, sidecar wheel shall be parallel to or shall not have slight "toe-in" towards the front wheel (in the straight-ahead position).

4.2 Inspection of braking force

4.2.1 General

The braking force of a vehicle under inspection shall be measured with one inspector therein as an occupant with no passenger or luggage, according to the requirements specified in Annex B and the results shall conform to 4.2.2 and 4.2.3.

4.2.2 Braking force of main brake system

4.2.2.1 The total braking force of the main braking system shall not be less than 50 % of the axle weight of the vehicle, and the sum of braking forces on the rear wheels shall not be less than 50 % of the axle weight of the subject axle when unladen.

4.2.2.2 For the main braking system, the difference of braking forces applied to the right and left wheels shall be 8 % or less of the axle weight of the subject axle when unladen.

4.2.3 Braking force of parking brake system

The total sum of the braking force of the parking brake system shall not be less than 20 % of the weight of the vehicle as inspected.

4.3 Level of noise produced by automobile

4.3.1 The measurement of the noise level of steady running noise shall not be more than 88 dB(A). To allow for any lack of precision in the measuring equipment, the highest sound level reading obtained shall be reduced by 1 dB (A).

4.3.2 The muffler shall be free from corrosion, damage, and cracking, and shall function favourably to muffle sound.

4.3.3 The noise level in the cabin should not be more than 70 dB(A).

4.4 Exhaust gas from automobile

4.4.1 General

The concentration of or the level of contamination from exhaust gas shall be determined according to Annex C.

4.4.2 Automobiles using gasoline or liquefied petroleum gas as fuel

The concentration of the exhaust gas from an automobile shall be measured when the engine is idling, and inserting the probe of a tester into the exhaust pipe to a depth of approximately 60 cm (if this is not feasible, measures to prevent the ingress of air from outside shall be taken before inserting the probe). The measurements shall not exceed the following reference values:

- a) concentration of carbon monoxide - 4.5 %; and
- b) concentration of hydrocarbon:
 - i) 4-cycle engine - 1 200 ppm;
 - ii) 2-cycle engine - 7 800 ppm; and
 - iii) special engine - 3 300 ppm.

4.4.3 Automobiles using light oil (diesel) as fuel

The excessive black smoke or fumes emitted from the automobile shall not be allowed.

4.4.4 Smoke and soot emission

The following automobile components shall be securely installed and free from damage:

- a) exhaust pipe, which, in addition, shall be free from excessive deformation;
- b) catalytic muffler;.
- c) blow by gas reducing device; and
- d) emission control device for fuel evaporative gases.

4.5 Brightness of headlamps and orientation of main optical axis

4.5.1 General

The brightness of headlamps and the orientation of their main optical axis shall be measured either manually or using suitable apparatus with the light receiving portion of a tester squarely opposed to the headlamp according to the distance and method of measurement. The manual measurements shall be done in accordance with test methods specified in Annex D and shall agree with the reference values in 4.5.2 and 4.5.3.

4.5.2 Luminous intensity

4.5.2.1 Four-lamp type

For the main headlamp for driving, the intensity shall be 12 000 cd or above and with a sub headlamp added, the intensity shall be 15 000 cd or above.

4.5.2.2 Other types

For the headlamps for driving, the intensity shall be 15 000 cd or above.

4.5.3 Orientation of main optical axis

The main optical axis shall be properly oriented both in the horizontal and vertical directions.

4.6 Horn

With the engine of an automobile stopped, the loudness of its alarm unit (that is, the horn) shall meet the requirements below. Measurement shall be conducted in accordance with test method specified in Annex E. A microphone set in a position 1.0 m above the ground and at 2.0 m from the front of the vehicle:

- a) reference value, within the range 90 dB(A) through 115 dB(A); and
- b) the sound of an alarm buzzer shall be continuous and of constant volume.

4.7 Speedometer

The speedometer shall be in good working order.

5 Inspection for the operational requirements

5.1 Inspection for engine

The engine shall be inspected visually while observing the following:

- a) the engine shall start with ease, and shall not produce excessive unusual noise or vibration during operation;
- b) no oil leakage or water leakage shall be observed from the main body of the engine; and
- c) no cracking, damage, or deformation shall be observed in the oil sump, and there shall be no oil leaking from the gaskets.

5.2 Exhaust pipe

The positioning and routing of exhaust pipe shall be done in acceptable manner and observation of the following shall be made:

- a) no damage or cracking shall be permitted in the intake or exhaust manifold;
- b) no cracking or rubber flaking shall be observed in the exhaust pipe and support bracket; and
- c) the muffler and the gaskets of the exhaust pipe shall be free from damage, exhaust leakage, and noise.

5.3 Inspection of cooling system

No coolant leakage shall be observed from the radiator or rubber hoses. Where an air conditioning system is fitted, the refrigerant shall not be chlorofluorocarbons (CFCS).

5.4 Fuel system

5.4.1 The fuel system shall have no visible leakage.

5.4.2 The fuel tank shall not be deformed and shall be firmly mounted.

5.5 Transmission system

5.5.1 Clutch

5.5.1.1 There shall be no anomalies in the engagement system of the clutch (for example, slip, incomplete disengagement, judder and unusual noise) and shall operate smoothly.

5.5.1.2 No oil leakage shall be permitted in the clutch system.

5.5.1.3 A clutch pedal shall be provided with a mechanism to prevent slipping.

5.5.1.4 For automatic transmission vehicles, the torque converter shall function properly.

5.5.2 Transmission

5.5.2.1 The transmission shall be capable of being turned to each shift position with ease in the idling state, and there shall be no excessive play in the shift lever in any shift position.

5.5.2.2 The gears or bearings in the transmission shall not produce unusual noise, and no oil leakage shall be permitted from oil seals.

5.5.2.3 For an automatic transmission car, the indicator reading shall be matched with the actual shift position, and its engine shall not be capable of being started in any position other than the (P) position and neutral (N) position.

5.5.3 Propeller shaft

5.5.3.1 No excessively loose fixing bolt or joint shall be present at the coupling portions in the propeller shaft.

5.5.3.2 The propeller shaft shall not produce run-out or excessive vibration during driving.

5.5.4 Final drive system

The final drive system shall be free from excessive backlash, unusual noise, and oil leakage.

5.5.5 Axle housing

No cracking, damage, deformation or oil leakage shall be permitted in the axle housing.

5.6 Suspension system

5.6.1 No cracking damage, setting, or misalignment shall be permitted in the spring and the clip band. Center bolt or U-bolt shall not be damaged, missing, or loose.

5.6.2 No excessive play, oil leakage, or gas leakage shall be present at the mounting portions of the shock absorber.

5.6.3 The torque rod, radius rod, and their brackets shall be free from deformation and damage such as cracking and mounting portions and coupling portions shall not be loose or damaged.

5.6.4 No damaged or loosely mounted upper or lower arm shall be permitted and the arm and support arm shall be free from cracking, damage, and bends.

6 Inspection of axles, wheels, and tyre

6.1 Axles

6.1.1 The axles shall be free from cracking and damage, and the shaft shall be free from looseness and backlash

6.1.2 No nuts or bolts shall be loose or missing in a wheel

6.1.3 The wheel disks, rims and side rings shall be free from cracking and damage due to excessive corrosion or deformation, and the disk shall be free from excessive run-out.

6.1.4 Wheel bearing shall be free from excessive backlash and the drag from the brakes and the preload on bearings shall be correct.

6.2 Steering system

6.2.1 Steering wheel

6.2.1.1 The steering wheel shall be capable of being easily and reliably operated by a driver sitting in position, and the steering wheel shall be mounted without backlash, lightly operated and with proper play.

6.2.1.2 There shall be no backlash in the direction of the axis of the steering shaft.

6.2.1.3 The effort required to manipulate the steering wheel shall not be excessively different between the clockwise direction and anticlockwise direction.

6.2.2 Steering gear box

6.2.2.1 The gearbox shall be mounted without looseness and be free from oil leakage.

6.2.2.2 The sector shaft shall be free from backlash.

6.2.3 Steering linkage

6.2.3.1 The steering linkage shall be free from deformation and damage such as cracking.

6.2.3.2 No loosely mounted parts, excessive backlash or defective split pin shall be present in any part of the rod arms.

6.2.3.3 There shall be no risk of the wheels coming into contact with the frame, fender, brake hose or any other part during steering.

6.2.4 Power steering

The power steering system shall be free from oil leakage and looseness in its body or connecting portions and shall operate and function properly.

6.3 Brake system

6.3.1 Brake pedal

6.3.1.1 The height, play, and full depression of the brake pedal shall be correct, and the clearance between it and the floorboard shall not be less than 25% of the overall stroke of the pedal. (For an air brake, the play of its pedal shall not exceed 20 mm).

6.3.1.2 The brake pedal shall be free from backlash in the axial direction, and shall not produce any unusual noise when depressed.

6.3.1.3 The brake pedal shall be provided with a mechanism to prevent slipping or a rubber pad.

6.3.1.4 The brake system shall be free from oil leakage and the ingress of air.

6.3.2 Parking brake

6.3.2.1 The parking brake shall be completely engaged when the brake lever is fully activated.

6.3.2.2 The pulling margin of the brake lever shall not be more than 70 % of its overall stroke.

6.3.2.3 The ratchet shall not be worn or damaged.

6.3.3 Brake rods and cables

Any visual damage shall not be allowed

6.3.4 Brake hose and piping

6.3.4.1 No damaged or loosely installed brake hoses or pipes shall be permitted and there shall be no oil leakage or air leakage from piping or joints.

6.3.4.2 There shall be no risk of a hose or pipe being brought into contact with any other part and no hose or pipe shall show signs of having been in contact with any other part.

6.3.5 Master cylinder and wheel cylinder

The master cylinder and wheel cylinder shall function properly and shall be free from oil leakage, and no bend or damage shall be present in the push rod.

6.3.6 Backing plate

The backing plate shall be free from deformation and distortion, and shall not be cracked especially in proximity to anchor pin installation areas.

6.3.7 Air brake

The hoses and pipes, release valve, and brake chamber shall be free from damage and air leakage. The brake chamber and rod shall be free from deformation, and no split pins shall be missing.

6.3.8 Braking servo unit

The servo unit shall function properly and there shall be no liquid or air leakage from the unit or pipe joints.

6.4 Tyres

The tyres shall be inspected visually in accordance to types and sizes while observing the following.

- a) the tread pattern shall not be excessively worn or damaged. The sidewall shall be free from cracking and damage and tread shall not show signs of slipping; and
- b) tyres shall be free from excessive worn out.

6.5 Front windshield and other window glass

6.5.1 Front windshield

The windshield shall be made of safety glass, and shall be free from any distortion or flaws that may limit visibility.

6.5.2 Other window glass

Other window glass shall not be broken, and the window glass shall be clear.

6.6 Lighting devices and reflectors

6.6.1 Colour of lighting

The light from headlamps shall be white and the colour of all headlamps shall be identical.

6.6.2 Brake lights

The light from brake lamps shall be red, and the brake lamps shall be automatically turned on when the main brake system is activated.

6.6.3 Number plate lights

The light from license plate lamps shall be white in colour and the licence plates lamps shall be so structured that they are not interlocked with the headlamps or position lamps.

6.6.4 Parking lights

The light from parking lamps shall be red in colour and the parking lamps shall be so structured that they are interlocked with the headlamps or auxiliary headlamps.

6.6.5 Reverse lights

The light from back-up lamps shall be white in colour.

6.6.6 Indicating device

Indicator lights lamps shall be installed at the front and rear of an automobile, and shall be positioned bilaterally and symmetrically in pairs, respectively. The light from the indicator lamps shall be orange, and the lights shall flash 60 through 120 times per minute.

6.6.7 Indicator lights

The light from position lamps shall be orange or light yellow and the colour of left and right position lamps shall be identical.

6.6.8 Reflectors

Reflectors used shall be in accordance with requirements specified in US 533.

6.6.9 Function and damage

Lighting devices and reflectors shall function normally and shall be free from damage and dirt.

6.7 Devices for ensuring vision

6.7.1 Wipers

The windscreen shall be provided with wipers capable of cleaning the windscreen. The wipers shall function normally and its blades shall be free from damage.

6.7.2 Rear view mirror

6.7.2.1 The rear view mirror shall be firmly installed, and its surface shall be free from smudges, distortion and cracking.

6.7.2.2 The rear view mirror shall be so structured that its orientation can be easily adjusted and maintained.

6.8 Mileage meter and other instruments

The mileage meter and other instruments such as water temperature indicator, fuel gauge, and tachometer, shall function properly and be free from damage.

6.9 Warning system

6.9.1 Warning lights

Warning lights shall provide warning on the state of oil pressure, charging, parking brake and opening of doors, and the warning lights shall function favourably and be free from damage.

6.9.2 Hazard warning flashing lights

Hazard warning flashing lights shall be installed bilaterally and symmetrically and shall function properly. The hazard warning flashing lights shall be free from damage and shall be orange or light yellow.

6.10 Goods - carrying equipment

Goods-carrying equipment shall be capable of carrying goods safely and reliably.

6.11 Frame and vehicle body

6.11.1 Frame

6.11.1.1 The frame of an automobile shall be sufficiently rigid to withstand driving.

6.11.1.2 The frame shall be free from cracking, damage or deformation.

6.11.1.3 No loose rivets shall be permitted at the joints between a side member and a cross member and no cracking shall be observed in proximity to rivet holes.

6.11.2 Vehicle body

6.11.2.1 The vehicle body shall be reliably secured on the frame, and shall not be loosened by vibration or impact.

6.11.2.2 The contour and any other shape of the vehicle body shall not contain any sharp projections, protruded rotating parts or any other elements that may interfere with the safe traffic of other vehicles or pedestrians

6.11.2.3 Any cracking, corrosion or distortion in parts such as pillars and the floorboard, which constitute the fundamentals of a vehicle body and sills, shall be remedied.

6.12 Vehicle dimensions

6.12.1 Overall length

6.12.1.1 A bus - train shall not exceed 20 m.

6.12.1.2 A single vehicle, excluding a semi trailer, including any drawbar or coupling, shall not exceed 12.5 m.

6.12.1.3 A trailer with one axle or axle unit (other than a semi trailer), the GVM of which does not exceed 12,000 kg, shall not exceed 8 m, excluding the length of the drawbar or coupling;

6.12.1.4 An articulated motor vehicle or other combination of motor vehicles consisting of drawing vehicle and a semi trailer, including any draw bar or coupling, shall not exceed 17 m.

6.12.1.5 A distance between the drawing vehicle and the trailer, shall not exceed 1.8 m, including any drawbar or coupling.

6.12.1.6 A trailer with one axle or axle unit (other than a semi trailer) the GVM of which exceeds 12,000 kg, shall not exceed 11.3 m, excluding the length of the drawbar or coupling.

6.12.1.7 A trailer not referred to in 6.12.1.3, 6.12.1.5 and 6.12.1.6 above (other than a semi trailer), the GVM of which exceeds 12,000 kg, shall not exceed 12.5 m excluding the length of any drawbar or coupling.

6.12.1.8 Any other combination of vehicles including any drawbar or coupling shall not exceed 22 m.

6.12.2 Overall overhang — Front overhang

Measure the distance between the front axle and the front of the bumper and observe the following:

- a) semi - trailer shall not exceed 1.8 m; or
- b) any vehicle (other than trailer or trailer with axle unit) shall not:
 - exceed 60 % of the base ;
 - exceed 6.2 m less half of the wheel base, in the case of vehicle in which the front surface of the backrest of the drivers' seat and seat level is within 1.7 m of the front end of the vehicle, when such seat, if adjustable, is in the rear position; or
 - exceed 5.8 m less half the wheel base, in the case of any other vehicle.

6.13 Coupling device

6.13.1 The coupling device shall be rigid and so structured that it will provide secure coupling. The coupling device shall not be disconnected due to vibration or impact during driving and shall sufficiently withstand driving.

6.13.2 The coupler of the coupling device shall be installed without looseness and shall function favourably. The pitching shaft, rolling shaft, and bearings shall be free from wear and damage.

6.13.3 The kingpin of the coupling device for trailers shall be installed without looseness.

6.13.4 The pintle hook and lunette eye installed on trucks etc, shall be reliably operatable and free from damage.

6.14 Vehicle appearance

6.14.1 Any serious damage to an outer panel shall be remedied.

6.14.2 Window glass elevating devices shall be functional.

6.14.3 Any other damage that may interfere with the safe driving of the vehicle shall not be permitted.

7 Marking

Unless otherwise stated, the following information shall be made available:

- a) certificate of roadworthiness attesting conformity to the requirements according to clauses 4. 5 and 6.
- b) certificate of appraisal showing model, year of manufacture, engine capacity and mileage.

Annex A (normative)

Wheel alignment testing

A.1 Purpose

This annex sets out the assessment of the wheel slip sideways, to be measured while the vehicle is travelling. The unit of scale employed on measuring the slip is generally (m/km) is the amount of the wheel slip perpendicular to the direction of travel as the vehicle makes a straight drive for 1 km.

A.2 Apparatus

The tester may be either mechanical or electrical depending on the method by which the amount of movement of the board is detected and transmitted to the indicator. The length of the running board is available in either 500 mm, 800 mm, or 1000 mm.

A.3 Procedure

Before performing the test, make sure that there is no dirt on the board and that the boards and the indicator are functioning properly. Then let the vehicle run straight parallel to the center line of the tester at 4 km/h and read the maximum amount of slip indicated on the scale, before the front wheels completely pass the boards: Make necessary adjustments to the vehicle wheel alignment if the reading is 5 mm or more or even when less than 5 mm or if the figure is different from the value designated from the given vehicle.

Annex B (normative)

Brake testing

B.1 Purpose

This annex sets out the assessment of the braking capacity of the vehicle. The widely used testers are roller driven. The rollers rotate with the wheels placed on top of them. The rollers are motor driven supplied in a set of two, one for each wheel. When brakes are applied, a rotation resistance is applied to the roller that creates torque in the direction opposite to the roller rotation.

B.2 Apparatus

There are various types of testing equipments such as the roller gearbox driven type and roller driven worn shaft type.

B.3 Procedures

Turn on the motor and let the rollers run idle to check that they are smoothly rotating. Make sure the needle indicator is adjusted to zero.

Turn off the motor and move the vehicle to place its wheels on top of and perpendicular to the rollers. Make sure that each of the wheels to be measured are firmly supported by two rollers.

Turn on the motor and let the rollers rotate. Before applying the brakes, check the reading on the indicator and make sure there is no drag of brakes. Then slowly step on the brake pedal. Gradually press down the pedal. The wheels will be eventually locked and the reading on the indicator will become constant.

Read the value indicated immediately prior to the locking of the wheels. This value is usually the maximum braking force.

Measure the braking force of both front and rear wheels.

Annex C (normative)

Exhaust emissions testing

C.1 Purpose

The test is done to measure the volumetric concentrations of CO and HC emissions at idling and not at slightly higher speed and load.

C.2 Apparatus

The apparatus used should be an independent exhaust - gas analyzer unit or part of engine analyzer.

C.3 Procedures

Procedures for calibrating and using exhaust gas analysers vary with the make and model of testers so emphasis shall be put on careful reading of the instructions for the analyzer.

Make necessary connections (electrical supply etc), turn on the analyzer, warm the equipment and calibrate the HC and CO meters for zero reading.

Check the system to be sure it is leak free.

To measure the amount of CO, run the engine at fast idle (say 1 500 rpm to 2 000 rpm for about 30 s), then run the engine at its specified idle speed and read CO on the CO meter.

To measure the HC, run the engine at fast idle (1500 rpm - 2000 rpm for about 30 s), then run the engine at its specified idle speed then read HC on the HC meter.

For diesel engine, vehicle measurement is done under no load and quickly accelerated and the percentage of smoke is read from the smoke meter or inspection done visually.

Annex D (normative)

Head light testing

D.1 Purpose

This annex sets out test for determining the luminosity and direction of irradiation (am) of the headlamp manually. The luminosity is expressed in candela (cd) and the direction of irradiation is generally indicated by the amount (in cm or mm) which the main optical axis oscillates at a 10m distance in the front or as specified by the vehicle manufacturer as to agreed standards.

D.2 Apparatus

There are various types of testers according to the methodology and specifications of measurements. The types of headlight testers are classified into types: screen type, projecting type. and automatic tester(Le. automatic optic axis tracking testing) type.

D.3 Procedure

The arrangement shall be done as shown in Figure D.1. The results shown in Figure D.2 and FigureD.3. together with the following general guidelines on handling a headlight tester shall also be observed:

- a) air pressure of all the tyres is of standard/specified value;
- b) there is no inclination of vehicle body due to damaged springs;
- c) the tester and the vehicle are precisely facing each other;
- d) the testing floor is flat;
- e) the distance between the tester and the vehicle headlamp is accurate;
- f) the engine is running and its battery is being charged while testing; and
- g) the vehicle should be unladen with one driver on board.

NOTE Luminosity refers to the brightness of light source and is expressed in candelas (cd) where as illumination refers to the brightness of the irradiated surface and is expressed in luxes (lx).

Annex E (normative)

Sound level testing

E.1 Purpose

This annex sets out assessment of the levels of noises produced by the vehicle and the sound of its horn. The gauge simulates human auditory perception. The audit level is indicated in dB (A) units.

Also sound can be expressed in many physical quantities other than dB (A) such as in Pascal (Pa) unit of pressure, sound power (watts), intensity (sound/surface) in watts per square metre (W/m^2) or particle speed (m/s).

NOTE 1 Sound level dB = $20 \times \log \frac{P}{P_0}$

where

P_0 is the lowest audible sound of 20 MPa

NOTE 2 1 Pa = 1 N/m²

1 atm = 10⁵ Pa

E.2 Apparatus

Apparatus uses microphone that converts sound captioned in electrical current and its level is indicated on the indicator in dB(A).

E.3 Procedures

Calibrate the indicator before use, follow specific instructions as to the gauge settings and measurements taking. Note the specific settings for measuring of exhaust noises and sound level of the horn, careful noting placement of a gauge to avoid interference of background noises and reflected sounds. Make adjustments for such noises where such noises cannot be avoided.

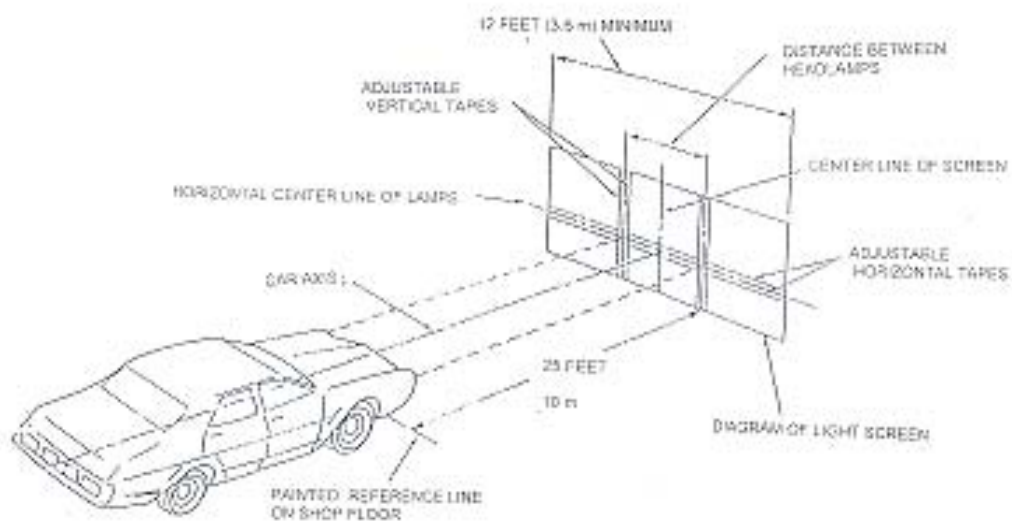


Figure O.1 - Manual headlight aiming screen

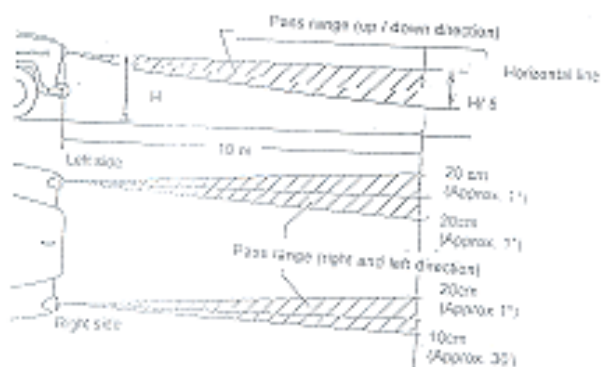


Figure D.2 - Irradiating range of headlights

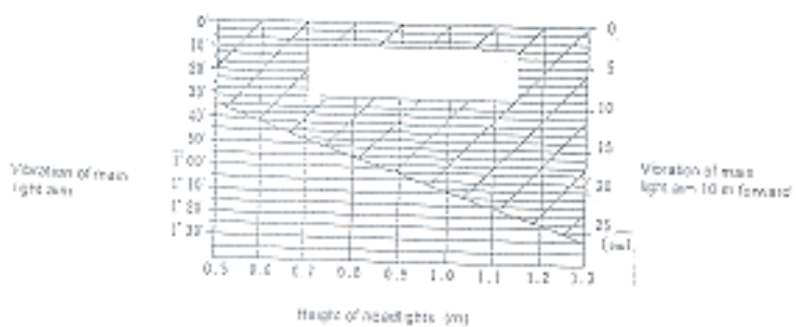


Figure D.3 - Upper and lower limits to mounting position of headlight

Bibliography

- [1] JAAI 16 - 303, *Inspection standard for exported used cars* published by Japan Auto Appraisal Institute (JAAI)
- [2] SABS 047, *The testing of motor vehicle for roadworthiness* published by the South African Bureau of Standards
- [3] TZ 698:2003, *Road vehicles - Code of practice for inspection and testing of used motor vehicles for road worthiness*

Certification marking

Products that conform to Uganda standards may be marked with Uganda National Bureau of Standards (UNBS) Certification Mark shown in the figure below.

The use of the UNBS Certification Mark is governed by the Standards Act, and the Regulations made thereunder. This mark can be used only by those licensed under the certification mark scheme operated by the Uganda National Bureau of Standards and in conjunction with the relevant Uganda Standard. The presence of this mark on a product or in relation to a product is an assurance that the goods comply with the requirements of that standard under a system of supervision, control and testing in accordance with the certification mark scheme of the Uganda National Bureau of Standards. UNBS marked products are continually checked by UNBS for conformity to that standard.

Further particulars of the terms and conditions of licensing may be obtained from the Director, Uganda National Bureau of Standards.



